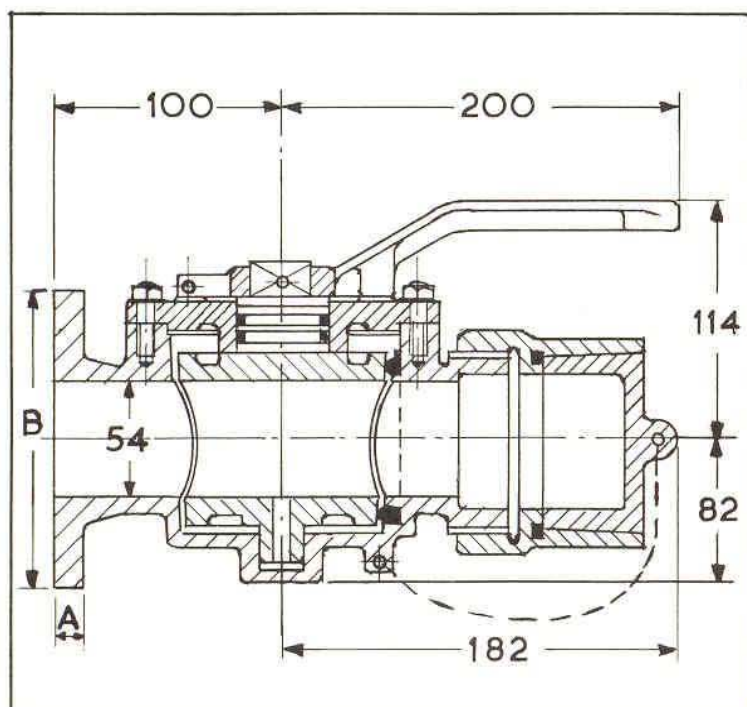
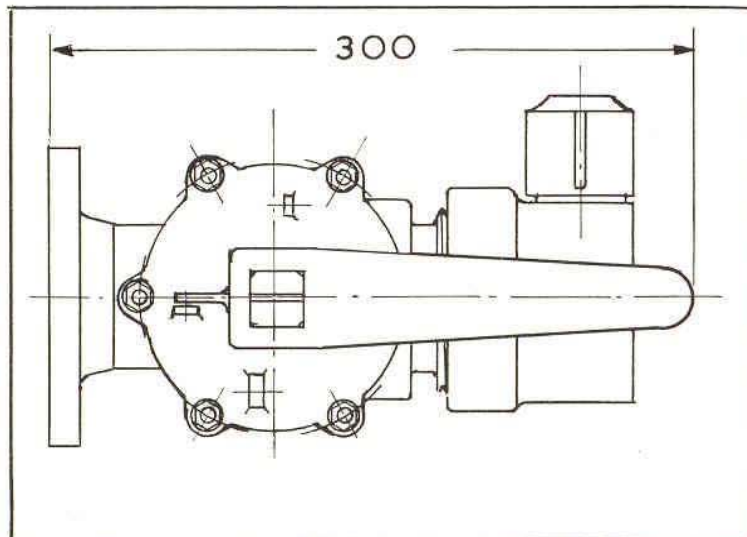


Hydrant plug valve



DIMENSIONS IN MILLIMETRES

Nom. Size	A	B	Bolt holes			Wt. Kg.
			No.	Dia.	P.c.d.	
40	11	150	4	17	110	12.7
50	11	165	4	17	125	13.6
65	13	185	4	17	145	14.5

Sackville Street, Skipton,
North Yorkshire, BD23 2PS England

Telephone: +44 (0) 1756 792346 Fax: +44 (0) 1756 792347 E-mail: sales@brooksbank.co.uk
www.brooksbank.co.uk



- Fitted with 2½" male or female instantaneous coupling.
- Coupling can be in any desired position.
- Other types of coupling can be arranged, e.g. screwed type.
- All complete with cap and retaining chain.
- Quarter turn operation.
- Bubble tight sealing.
- Smooth easy action.
- Positive stops for open and closed positions.
- Locking facilities for open and closed positions.
- Synthetic rubber seals. Not metal to metal.
- Flanges can be to customers' requirements.
- Angle pattern and different connections available.

TEST PRESSURE 20 BAR.

WORKING PRESSURE 10 BAR.

MAX. WORKING TEMP. 104°C.

MADE IN GUNMETAL