

FULL BORE Ball Valves

Full bore ball valves offer minimal pressure drop & are the prime choice where pigging of process lines is a major consideration. Brooksbank full bore floating ball valves are available in weight saving single piece end entry design up to 1" & as a split 2 piece body in sizes 1 1/2" & above.

Manufactured from a full range of materials including:

- Aluminium Bronze - European & American Specifications
- Gunmetal - European & American Specifications
- Duplex
- Super Duplex
- Titanium
- Hastelloy®
- Monel
- 254 SMO
- Other materials on request



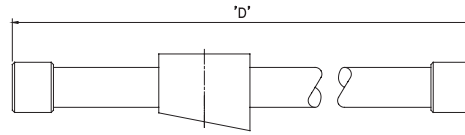
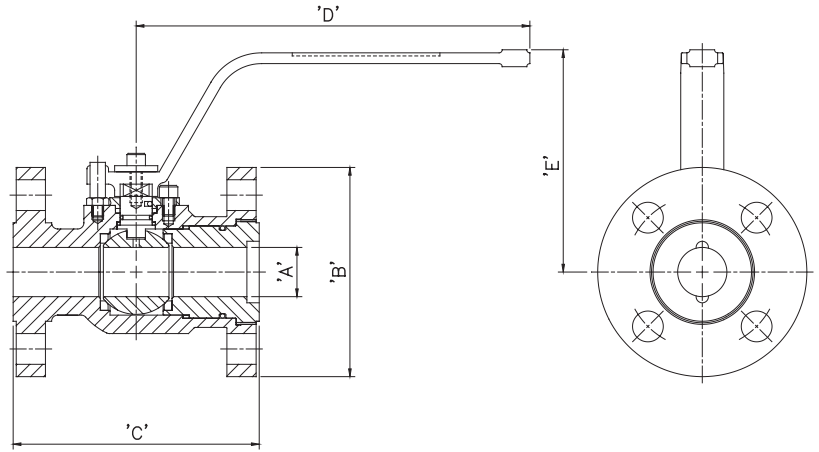
Features include:

- Anti static, anti blowout stem
- Cavity pressure relieving seats
- Pressure equalising ball design
- Solid ball
- Single Piece End Entry in sizes 1" & below
- Bolted body on sizes 1 1/2" & above
- ISO 5211 mounting platform
- Removal of lever for actuation does not compromise seal integrity
- Chevron packing on sizes 2" & above
- Other flange standards available on request

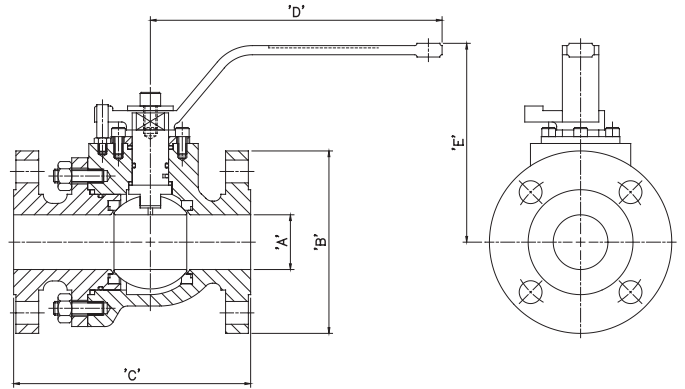


Manufacturing Standards

- Designed generally in accordance with API 6D & EN 17292 (Formerly BS5351)
- Wall thickness in accordance with ANSI B16.34
- Face to face dimensions in accordance with ANSI B16.10
- Flange dimensions in accordance with ANSI B16.5
- Bronze material in accordance with ANSI B16.24



3" CLASS 300 & 4" CLASS 150



OVERALL DIMS

SIZE	CLASS	'A'	'B'	'C'	'D'	'E'
1/2"	150	1/2"	3 1/2"	4 1/4"	8"	4 3/16"
1/2"	300	1/2"	3 3/4"	5 1/2"	8"	4 3/16"
3/4"	150	3/4"	3 7/8"	4 5/8"	8"	4 5/16"
3/4"	300	3/4"	4 5/8"	6"	8"	4 5/16"
1"	150	1"	4 1/4"	5"	8"	4 17/32"
1"	300	1"	4 7/8"	6 11/2"	8"	4 17/32"
1 1/2"	150	1 1/2"	5"	6 1/2"	8"	5 7/16"
1 1/2"	300	1 1/2"	6 1/8"	7 1/2"	8"	5 7/16"
2"	150	2"	6"	7"	12"	5 7/8"
2"	300	2"	6 1/2"	8 1/2"	12"	5 7/8"
3"	150	3"	7 1/2"	8"	12"	6 17/32"
3"	300	3"	8 1/4"	11 1/8"	24"	8 29/32"
4"	150	4"	9"	9"	24"	9 21/32"
4"	300	4"	10"	12"		GEARBOX
6"	150	6"	11"	15 1/2"		GEARBOX
6"	300	6"	12 1/2"	15 7/8"		GEARBOX
8"	150	8"	13 1/2"	18"		GEARBOX
8"	300	8"	15"	19 3/4"		GEARBOX