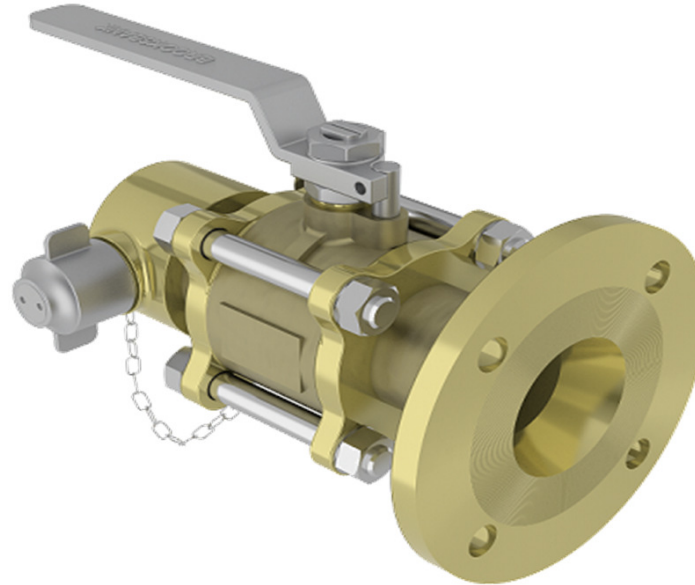


Description

The BAV115 is a full bore (2-1/2" is reduced bore) straight through hydrant floating ball valve. Manufactured as standard in Bronze to give long service life on seawater applications.

In conformance with the Pressure Equipment Directive 2014/68/EU.

Standard Range,
Sizes: 1-1/2" to 2-1/2"
Connections: PN16 with IHC male or female connectors.



Materials

Regularly manufactured in a full range of materials including:

Nickel Aluminium Bronze – ASTM B148
Nickel Aluminium Bronze - DS02 747 Part 3
Gunmetal – DS02 830 Part 1
Bronze – ASTM B61/B62
Brass – HTB1
Titanium – ASTM B367
Hastelloy®
Monel®

Other materials available on request

Features

Anti-static / Anti blowout stem
Solid Ball

Options

Male or female IHC connection
Locking facility
Extended stems (insulation allowance)

Specifications

Designed specifically for Naval Applications.
PED Conformity
BS4504, BS5351 & BS336

Dimensions

PN16

VALVE SIZE		mm						WEIGHT kg	Drg IHC Female	Drg IHC Male
INCH	mm	A NB Pipe	B NB Ball	C	D	E	F			
1 1/2"	40	40	40	150	207	178	104	11	1870	1873
2"	50	50	50	165	217	203	129	12.5	1871	1874
2 1/2"	65	65	50	185	223	203	129	14	1872	1875

